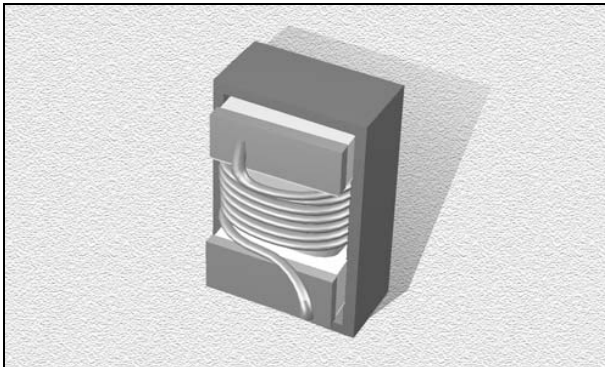


SMD Wire-wound Chip Inductors

ginvanix.com

GV1210LSC Series

From 0.47 μH to 680 μH



CHARACTERISTICS

Description: SMD ferrite core wire-wound high current chip inductor

Applications: LC resonant circuits such as oscillator and signal generators, impedance matching, circuit isolation, RF filters, disk drives and computer peripherals, audio and video equipment, TV, radio and telecommunication equipment

Operating Temperature: -25°C to +85°C

Inductance Tolerance: $\pm 5\%$ & $\pm 10\%$

Testing: Inductance and Q are tested on an HP4285A at specified frequency

Packaging: Tape & Reel

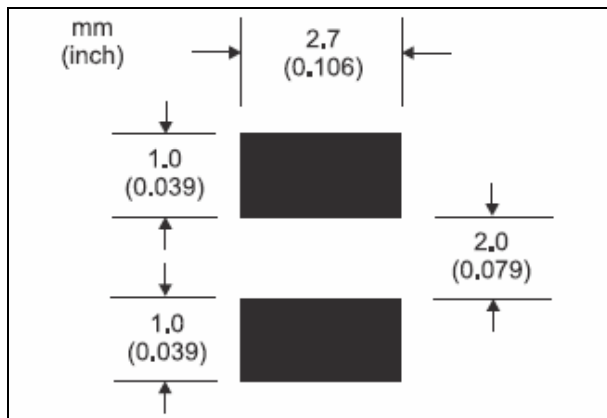
Miscellaneous: RoHS Compliant available.

Marking: Parts are marked with color dots in nanoHenries. Example: 10uH = 10000nH marking would be Brown, Black, Orange(103).

Additional Information: Additional electrical & physical information available upon request

Samples available. See website for ordering information.

PAD LAYOUT



SPECIFICATIONS

Please specify tolerance code when ordering.

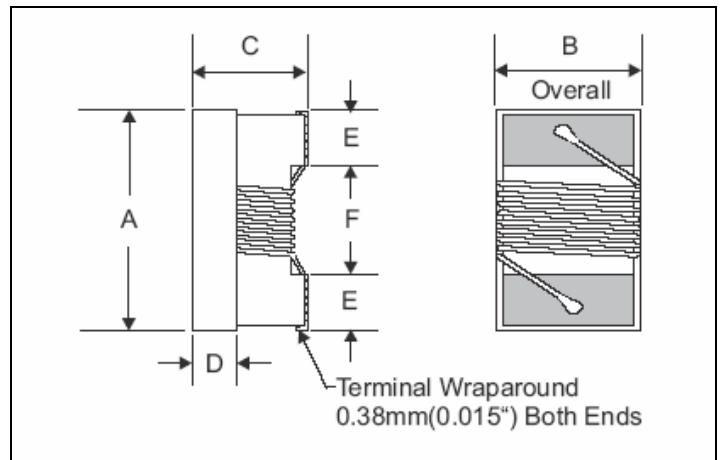
GV1210LSC-1R0_ ← J = $\pm 5\%$, K = $\pm 10\%$

GV1210LCSE Please specify "F" for RoHS compliant

Part Number	Inductance (μH)	L Test Freq. (MHz)	Q Fact. Min.	Q test Freq. (MHz)	SRF Min. (MHz)	DCR $\pm 30\%$ (Ω)	Rated DC (mA)
GV1210LSC_-R47_	0.47	25.2	40	25.2	450	0.07	1800
GV1210LSC_-1R0_	1.0	7.96	20	7.96	100	0.08	1500
GV1210LSC_-1R5_	1.5	7.96	20	7.96	80	0.11	1125
GV1210LSC_-1R8_	1.8	7.96	20	7.96	70	0.13	970
GV1210LSC_-2R2_	2.2	7.96	20	7.96	68	0.13	970
GV1210LSC_-2R7_	2.7	7.96	20	7.96	62	0.15	900
GV1210LSC_-3R3_	3.3	7.96	20	7.96	54	0.16	837
GV1210LSC_-4R7_	4.7	7.96	20	7.96	43	0.20	675
GV1210LSC_-5R6_	5.6	7.96	20	7.96	36	0.26	620
GV1210LSC_-6R8_	6.8	7.96	20	7.96	33	0.27	600
GV1210LSC_-8R2_	8.2	7.96	15	7.96	28	0.33	570
GV1210LSC_-10_	10	2.52	15	2.52	28	0.36	520
GV1210LSC_-15_	15	2.52	15	2.52	19	0.56	480
GV1210LSC_-18_	18	2.52	15	2.52	17	0.67	330
GV1210LSC_-22_	22	2.52	15	2.52	16	0.77	310
GV1210LSC_-27_	27	2.52	15	2.52	13	1.00	280
GV1210LSC_-33_	33	2.52	15	2.52	12	1.10	270
GV1210LSC_-47_	47	2.52	15	2.52	10	1.64	210
GV1210LSC_-68_	68	2.52	15	2.52	9	2.8	189
GV1210LSC_-101_	100	0.796	15	0.796	6	3.7	145
GV1210LSC_-151_	150	0.796	15	0.796	5	6.1	120
GV1210LSC_-181_	180	0.796	15	0.796	4	8.0	105
GV1210LSC_-221_	220	0.796	15	0.796	4	8.4	100
GV1210LSC_-331_	330	0.796	15	0.796	3.5	12	80
GV1210LSC_-471_	470	0.796	15	0.796	2.8	22	75
GV1210LSC_-681_	680	0.796	15	0.796	2	28	65

PHYSICAL DIMENSIONS

Size	A Max.	B Max.	C Max.	D	E	F
mm	3.70	2.90	2.6	0.51	0.51	1.52
inches	0.146	0.114	0.102	0.019	0.019	0.060



Ginvanix Electronics Corp.

180, Minsheng St., 303, Hukou, Hsinchu, Taiwan
Tel: +886-3-5999899; Fax: +886-3-5901484; info@ginvanix.com