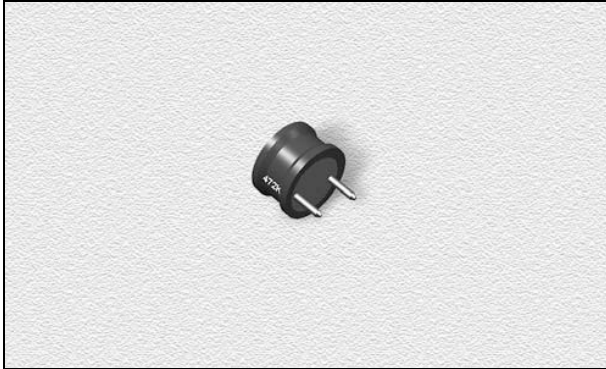


# Peaking Coils - Radial

ginvanix.com

## GV262LY Series

From 0.1 mH to 15 mH



### CHARACTERISTICS

**Description:** Radial leaded (low profile) fixed inductor

**Applications:** Ideal as a choke coil and a trap coil for low profile equipment. Winding core is encapsulated in heat shrink plastic housing providing mechanical and environmental protection

**Temperature Coefficient:** 440ppm / °C max.

**Inductance Tolerance:** ±5%, ±10%

**Testing:** Inductance and Q are tested on an HP4285A at specified frequency

**Packaging:** Bulk pack; packaged in styrofoam

**Marking:** Sleeve marked with inductance code

**Miscellaneous:** RoHS Compliant available.

**Additional Information:** Additional electrical & physical information available upon request

**Samples available. See website for ordering information.**

### SPECIFICATIONS

Please specify tolerance code when ordering.

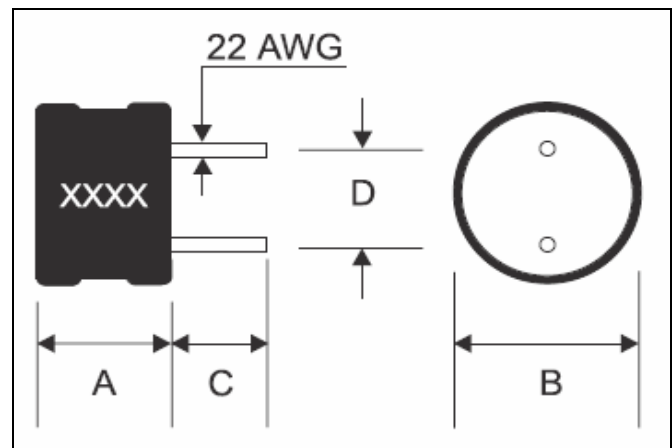
GV262LY-101\_ ← J = ±5%, K = ±10%

GV262LYF Please specify "F" for RoHS Compliant

Part Number	Inductance (mH)	L Test Freq. (kHz)	Q Fact. Min.	Q est Freq. (kHz)	SRF Min. (MHz)	DCR Max. (Ω)	Rated DC (mA)
GV262LY_-101_	.10	796	60	796	6.1	2.0	200
GV262LY_-121_	.12	796	60	796	5.5	3.0	200
GV262LY_-151_	.15	796	60	796	5.0	3.0	200
GV262LY_-181_	.18	796	60	796	4.7	3.0	200
GV262LY_-221_	.22	796	60	796	4.5	3.0	150
GV262LY_-271_	.27	796	60	796	4.1	3.0	150
GV262LY_-331_	.33	796	60	796	3.8	4.0	150
GV262LY_-391_	.39	796	60	796	3.5	4.0	100
GV262LY_-471_	.47	796	60	796	3.2	5.0	100
GV262LY_-561_	.56	796	60	796	2.9	6.0	100
GV262LY_-681_	.68	796	60	796	2.7	6.0	100
GV262LY_-821_	.82	796	60	796	2.3	7.0	50
GV262LY_-102_	1.0	252	80	252	2.1	9.0	50
GV262LY_-122_	1.2	252	80	252	1.9	9.0	50
GV262LY_-152_	1.5	252	80	252	1.8	11	50
GV262LY_-182_	1.8	252	80	252	1.6	12	50
GV262LY_-222_	2.2	252	80	252	1.5	14	50
GV262LY_-272_	2.7	252	80	252	1.4	15	50
GV262LY_-332_	3.3	252	80	252	.90	25	40
GV262LY_-392_	3.9	252	80	252	.90	30	40
GV262LY_-472_	4.7	252	80	252	.80	32	40
GV262LY_-562_	5.6	252	80	252	.70	36	30
GV262LY_-682_	6.8	252	80	252	.70	40	30
GV262LY_-822_	8.2	252	80	252	.60	45	30
GV262LY_-103_	10.0	79.6	60	79.6	.60	55	20
GV262LY_-123_	12.0	79.6	60	79.6	.50	65	20
GV262LY_-153_	15.0	79.6	60	79.6	.50	80	20

### PHYSICAL DIMENSIONS

Size	A	B	C	D	22 AWG
	Max.	Max.	Nom.	Nom.	Nom.
mm	6.2	8.0	5	5	0.643
inches	0.24	0.32	0.2	0.2	0.03



**Ginvanix Electronics Corp.**

180, Minsheng St., 303 Hukuo, Hsinchu, Taiwan  
Tel: +886-3-5999899; Fax: +886-3-5901484; info@ginvanix.com