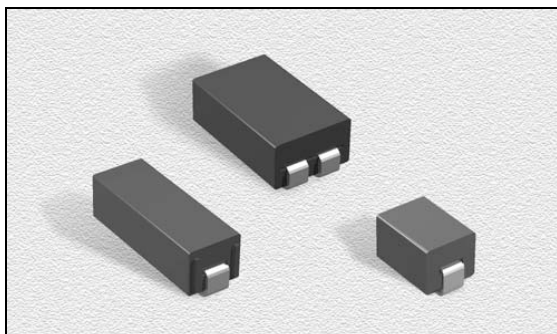


GV274 Series

SPECIFICATIONS

GV274xxxxxF Please specify "F" for RoHS Compliant

Part Number	Impedance (Ω) Min. at 25 MHz	Impedance (Ω) Min. at 100 MHz	DC Resistance (m Ω) Max.
GV2743019447_	23	38	.60
GV2743021447_	50	80	.90
GV2744045447_	30	60 \pm 20%	1.2



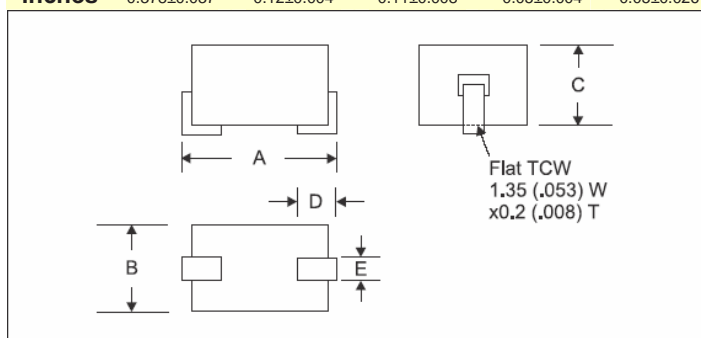
PHYSICAL DIMENSIONS

GV2743019447

Size	A	B	C	D	E
mm	5.1 \pm 0.95	3.05 \pm 0.2	2.85 \pm 0.2	1.27 \pm 0.1	1.35 \pm 0.65
inches	0.2 \pm 0.037	0.12 \pm 0.004	0.11 \pm 0.008	0.05 \pm 0.004	0.05 \pm 0.026

GV2743021447

Size	A	B	C	D	E
mm	9.6 \pm 0.95	3.05 \pm 0.1	2.85 \pm 0.2	1.27 \pm 0.1	1.35 \pm 0.65
inches	0.378 \pm 0.037	0.12 \pm 0.004	0.11 \pm 0.008	0.05 \pm 0.004	0.05 \pm 0.026



CHARACTERISTICS

Description: SMD ferrite chip beads

Applications: Noise suppression in computer peripherals, telecommunication equipment, data communication equipment and other consumer electronics

Packaging: Tape & Reel

Current Rating: Maximum rating is 5 Amps

Testing: Impedance is tested on an HP4286A at 25 MHz and 100 MHz

Miscellaneous: RoHS Compliant available.

Additional Information: Additional electrical & physical information available upon request

Samples available. See website for ordering information.

PHYSICAL DIMENSIONS

GV2744045447

Size	A	B	C	D	E
mm	8.9 \pm 0.3	5.6 \pm 0.2	2.85 \pm 0.2	1.35 \pm 0.25	2.54 \pm 0.1
inches	0.35 \pm 0.012	0.22 \pm 0.008	0.11 \pm 0.008	0.05 \pm 0.01	0.10 \pm 0.004

