

# Power Inductors – Shielded

ginvanix.com

## GV636CY Series

From 1.0  $\mu\text{H}$  to 1,000  $\mu\text{H}$



### CHARACTERISTICS

**Description:** SMD (shielded) power inductor

**Applications:** Ideal for a variety of DC/DC converter applications and low profile use

**Operating Temperature:** -30°C to +100°C

**Inductance Tolerance:**  $\pm 20\%$

**Testing:** Inductance is tested on an HP4285A at 100 kHz

**Packaging:** Tape & Reel

**Marking:** Parts are marked with inductance code

**Miscellaneous:** RoHS Compliant available. Magnetically shielded

**Additional Information:** Additional electrical & physical information available upon request

**Samples available. See website for ordering information.**

### SPECIFICATIONS

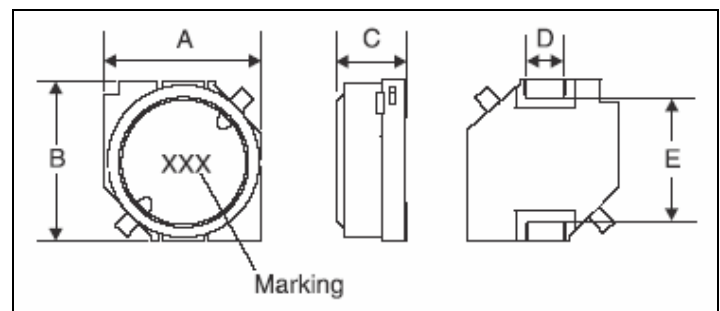
Parts are available in  $\pm 20\%$  tolerance only.

GV636CYE Please specify "F" for RoHS Compliant

Part Number	Inductance ( $\mu\text{H}$ )	L Test Freq. (kHz)	DCR Max. ( $\Omega$ )	Rated DC (A)
GV636CY_-1R0M	1.0	100	0.019	3.12
GV636CY_-1R5M	1.5	100	0.023	2.85
GV636CY_-1R8M	1.8	100	0.028	2.66
GV636CY_-2R2M	2.2	100	0.028	2.66
GV636CY_-2R7M	2.7	100	0.030	2.40
GV636CY_-3R3M	3.3	100	0.035	2.26
GV636CY_-4R7M	4.7	100	0.043	1.96
GV636CY_-5R6M	5.6	100	0.050	1.80
GV636CY_-6R8M	6.8	100	0.055	1.76
GV636CY_-8R2M	8.2	100	0.065	1.50
GV636CY_-100M	10	100	0.080	1.34
GV636CY_-120M	12	100	0.090	1.23
GV636CY_-150M	15	100	0.120	1.09
GV636CY_-180M	18	100	0.130	0.99
GV636CY_-220M	22	100	0.150	0.90
GV636CY_-270M	27	100	0.210	0.81
GV636CY_-330M	33	100	0.250	0.72
GV636CY_-390M	39	100	0.310	0.67
GV636CY_-470M	47	100	0.350	0.60
GV636CY_-560M	56	100	0.430	0.55
GV636CY_-680M	68	100	0.520	0.50
GV636CY_-820M	82	100	0.600	0.46
GV636CY_-101M	100	100	0.790	0.41
GV636CY_-121M	120	100	0.804	0.35
GV636CY_-151M	150	100	1.100	0.30
GV636CY_-181M	180	100	1.250	0.28
GV636CY_-221M	220	100	1.560	0.25
GV636CY_-271M	270	100	1.830	0.24
GV636CY_-331M	330	100	2.900	0.23
GV636CY_-391M	390	100	3.300	0.22
GV636CY_-471M	470	100	3.600	0.21
GV636CY_-561M	560	100	4.100	0.19
GV636CY_-681M	680	100	4.600	0.18
GV636CY_-821M	820	100	5.900	0.12
GV636CY_-102M	1000	100	7.020	0.10

### PHYSICAL DIMENSIONS

Size	A	B	C	D	E
	Max.	Max.	Max.		Max.
mm	7.4	7.4	3.5	2.0 $\pm$ 0.2	5.4
inches	0.29	0.29	0.14	0.08 $\pm$ 0.008	0.213



## Ginvanix Electronics Corp.

180, Minsheng St., 303, Hukou, Hsinchu, Taiwan  
Tel: +886-3-5999899; Fax: +886-3-5901484; info@ginvanix.com