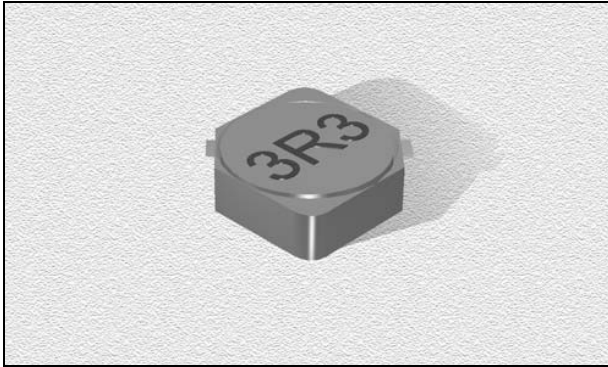


# Power Inductors – Shielded

ginvanix.com

## GVCDRH6D38 Series

From 3.3  $\mu$ H to 100  $\mu$ H



### SPECIFICATIONS

Parts are available in  $\pm 30\%$  tolerance only  
 GVCDRH6D38E Please specify "F" for RoHS Compliant

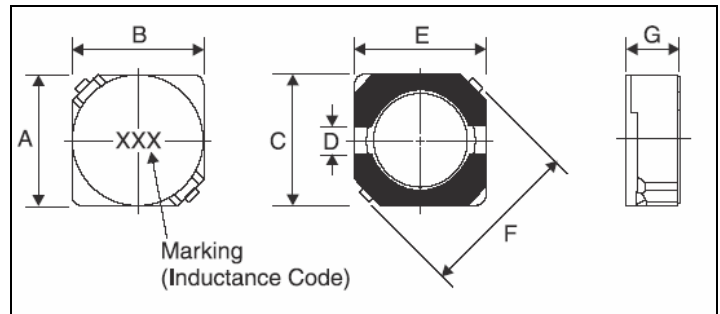
Part Number	Inductance ( $\mu$ H $\pm 30\%$ )	L Test Freq. (kHz)	DCR Max. (m $\Omega$ )	Rated DC Current (A)
GVCDRH6D38_-3R3N	3.3	10	20	3.5
GVCDRH6D38_-5R0N	5.0	10	24	2.9
GVCDRH6D38_-6R2N	6.2	10	27	2.5
GVCDRH6D38_-7R4N	7.4	10	31	2.3
GVCDRH6D38_-8R7N	8.7	10	34	2.2
GVCDRH6D38_-100N	10	10	38	2.0
GVCDRH6D38_-120N	12	10	53	1.7
GVCDRH6D38_-150N	15	10	57	1.6
GVCDRH6D38_-180N	18	10	92	1.5
GVCDRH6D38_-220N	22	10	96	1.3
GVCDRH6D38_-270N	27	10	109	1.2
GVCDRH6D38_-330N	33	10	124	1.1
GVCDRH6D38_-390N	39	10	138	1.0
GVCDRH6D38_-470N	47	10	155	.95
GVCDRH6D38_-560N	56	10	202	.85
GVCDRH6D38_-680N	68	10	234	.75
GVCDRH6D38_-820N	82	10	324	.70
GVCDRH6D38_-101N	100	10	358	.65

### CHARACTERISTICS

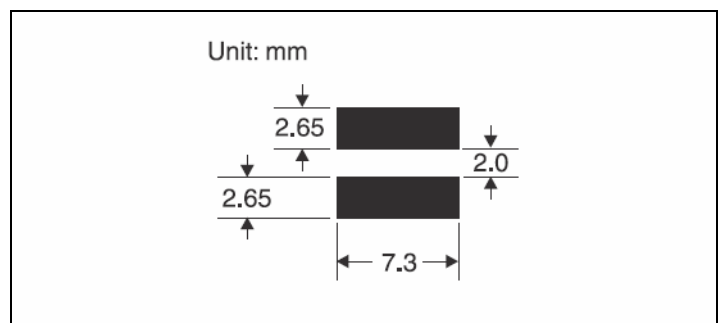
**Description:** SMD (shielded) power inductor  
**Applications:** Power supplies for VTR, OA equipment, LCD televisions, PC notebooks, portable communication equipment, DC/DC converters, etc.  
**Operating Temperature:** -30°C to +110°C  
**Inductance Tolerance:**  $\pm 30\%$   
**Testing:** Tested on a HP4284A at 10 KHz , 0.25Vrms , 0Adc  
**Packaging:** Tape & Reel  
**Marking:** Parts are marked with inductance code  
**Rated DC Current:** Indicates the current when the inductance decreases to 65% of its initial value or D.C. current when the temperature of coil is increased by 30% the smaller one is defined as rated current.  
**Miscellaneous:** RoHS Compliant available  
**Additional Information:** Additional electrical & physical information available upon request  
**Samples available. See website for ordering information.**

### PHYSICAL DIMENSIONS

Size	A	B	C	D	E	F	G
						Max.	Max.
mm	6.7 $\pm$ 0.3	6.7 $\pm$ 0.3	6.5	2.0	6.5	9.5	4.0
inches	0.26 $\pm$ 0.01	0.26 $\pm$ 0.01	0.255	0.08	0.255	0.37	0.16



### PAD LAYOUT



## Ginvanix Electronics Corp.

180, Minsheng St., 303, Hukou, Hsinchu, Taiwan  
 Tel: +886-3-5999899; Fax: +886-3-5901484; info@ginvanix.com