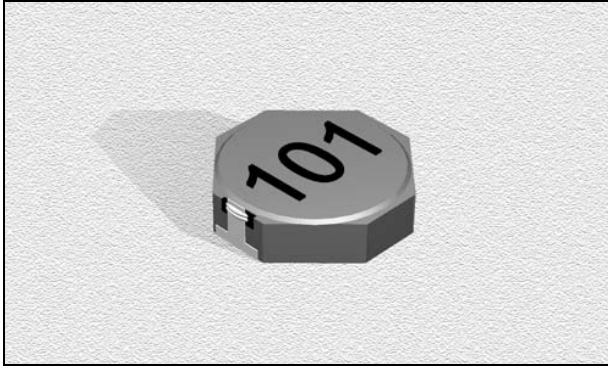


GVCDRH8D28 Series

From 2.5 μ H to 100 μ H



SPECIFICATIONS

Parts are available in $\pm 30\%$ tolerance only

Part Number	Inductance (μ H)	L Test Freq. (kHz)	DCR Max. ($m\Omega$)	Rated DC Current (A)
GVCDRH8D28-2R5N	2.5	100	14	4.5
GVCDRH8D28-3R3N	3.3	100	18	4.0
GVCDRH8D28-4R7N	4.7	100	24	3.4
GVCDRH8D28-7R3N	7.3	100	38	2.8
GVCDRH8D28-100N	10	100	42	2.3
GVCDRH8D28-150N	15	100	66	1.9
GVCDRH8D28-220N	22	100	95	1.6
GVCDRH8D28-330N	33	100	150	1.3
GVCDRH8D28-470N	47	100	190	1.15
GVCDRH8D28-680N	68	100	280	0.92
GVCDRH8D28-101N	100	100	410	0.75

PHYSICAL DIMENSIONS

Size	A Max.	B Max.	C Max.	D	E	F
mm	8.3	8.3	3.0	6.3	1.2	2.5
inches	0.327	0.327	0.118	0.248	0.047	0.098

CHARACTERISTICS

Description: SMD (shielded) power inductor

Applications: Power supplies for VTR, OA equipment, LCD televisions, PC notebooks, portable communication equipment, DC/DC converters, etc.

Operating Temperature: -30°C to $+100^{\circ}\text{C}$

Rated DC Current: The rated D.C. current indicates the value of current when the inductance is 65% more than its nominal value and temperature rising $-T=40^{\circ}\text{C}$ lower at D.C. superposition

Inductance Tolerance: $\pm 30\%$

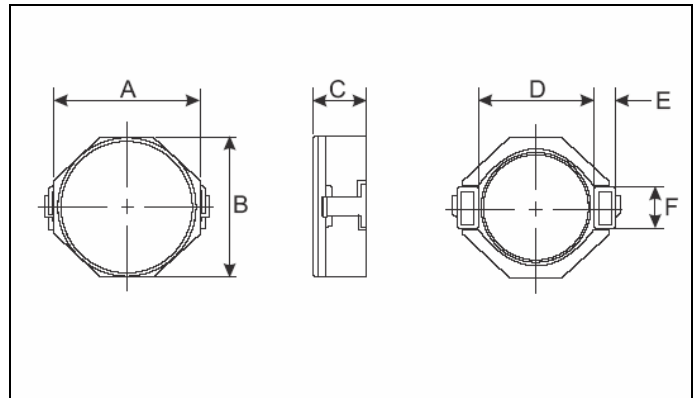
Testing: Tested on a HP4285A at 100 KHz, 0.25Vrms, 0Aac

Packaging: Tape & Reel

Marking: Parts are marked with inductance code

Additional Information: Additional electrical & physical information available upon request

Samples available. See website for ordering information.



PAD LAYOUT

