

Power Inductors – Shielded 4 Pads

ginvanix.com

GVCTX-1P Series

From 0.42 μH to 299.87 μH



SPECIFICATIONS

Parts are available in $\pm 20\%$ tolerance only.

Part Number	PARALLEL			SERIES		
	OCL ($\mu\text{H} \pm 20\%$)	DCR Max. (Ω)	Full Load Current (Adc)	OCL ($\mu\text{H} \pm 20\%$)	DCR Max. (Ω)	Full Load Current (Adc)
GVCTX0.47-1P	0.42	0.005	5.50	1.67	0.021	2.75
GVCTX0.68-1P	0.60	0.006	5.10	2.40	0.025	2.55
GVCTX1-1P	1.07	0.008	4.50	4.28	0.032	2.25
GVCTX2-1P	2.02	0.013	3.40	8.08	0.054	1.70
GVCTX5-1P	4.83	0.040	2.00	19.31	0.161	1.00
GVCTX8-1P	8.08	0.052	1.80	32.33	0.207	0.90
GVCTX10-1P	9.62	0.057	1.70	38.48	0.227	0.85
GVCTX15-1P	15.03	0.087	1.40	60.12	0.348	0.70
GVCTX20-1P	20.46	0.158	1.00	81.83	0.634	0.50
GVCTX25-1P	25.40	0.177	0.96	101.60	0.708	0.48
GVCTX33-1P	32.33	0.250	0.80	129.32	1.001	0.40
GVCTX50-1P	50.52	0.316	0.70	202.07	1.263	0.35
GVCTX68-1P	68.40	0.373	0.66	273.61	1.490	0.33
GVCTX100-1P	99.01	0.557	0.54	396.06	2.227	0.27
GVCTX150-1P	150.72	0.844	0.44	602.87	3.376	0.22
GVCTX200-1P	198.41	1.208	0.36	793.65	4.831	0.18
GVCTX300-1P	299.87	1.525	0.32	1199.46	6.100	0.16

PHYSICAL DIMENSIONS

Size	A	B	C	D	E	F
	Nom.	Nom.	Max.	Max.	Max.	Min.
mm	9.0	11.4	5.12	3.05	3.56	0.762
inches	0.35	0.45	0.20	0.12	0.14	0.03

CHARACTERISTICS

Description: SMD 4 Pads Inductors

Applications: Single inductors, 1:1 coupled inductors, & 1:1 isolation transformers

Operating Temperature: -40°C to $+85^{\circ}\text{C}$

Storage Temperature: -40°C to $+125^{\circ}\text{C}$

Inductance Tolerance: $\pm 20\%$

Testing: Inductance is tested on an HP4285A at 100 kHz

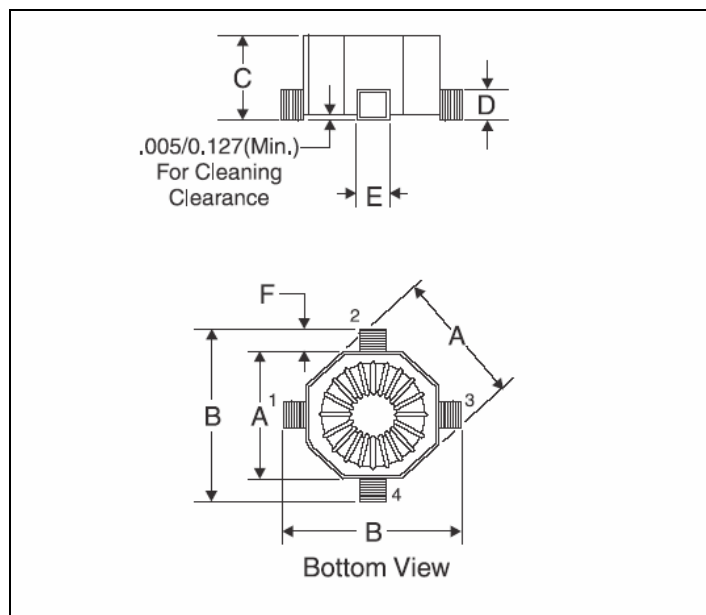
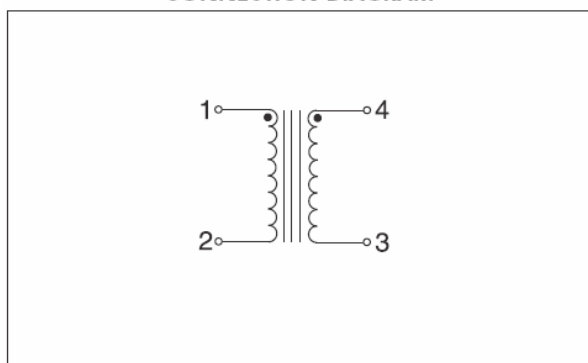
Packaging: Bulk pack; packaged in plastic trays

Marking: Parts marked with inductance code & series type

Additional Information: Additional electrical & physical information available upon request

Samples available. See website for ordering information.

CONNECTION DIAGRAM



Ginvanix Electronics Corp.

180, Minsheng St., 303, Hukou, Hsinchu, Taiwan
Tel: +886-3-5999899; Fax: +886-3-5901484; info@ginvanix.com