

GVCTX-2P Series

From 0.54 μH to 300.42 μH

SPECIFICATIONS

Parts are available in $\pm 20\%$ tolerance only.



Part Number	PARALLEL			SERIES		
	OCL ($\mu\text{H}\pm 20\%$)	DCR Max. (Ω)	Full Load Current (Adc)	OCL ($\mu\text{H}\pm 20\%$)	DCR Max. (Ω)	Full Load Current (Adc)
GVCTX0.47-2P	0.54	0.006	5.90	2.18	0.024	2.95
GVCTX0.68-2P	0.85	0.007	5.40	3.40	0.029	2.70
GVCTX1-2P	1.22	0.008	5.00	4.90	0.033	2.50
GVCTX2-2P	2.18	0.014	3.90	8.70	0.055	1.95
GVCTX5-2P	4.90	0.032	2.50	19.58	0.128	1.25
GVCTX8-2P	7.65	0.040	2.30	30.60	0.158	1.15
GVCTX10-2P	9.83	0.045	2.10	39.30	0.179	1.05
GVCTX15-2P	14.99	0.085	1.60	59.98	0.339	0.80
GVCTX20-2P	19.58	0.097	1.50	78.34	0.387	0.75
GVCTX25-2P	24.79	0.109	1.40	99.14	0.436	0.70
GVCTX33-2P	32.67	0.126	1.30	130.70	0.503	0.65
GVCTX50-2P	49.10	0.305	0.82	196.38	1.221	0.41
GVCTX68-2P	68.85	0.362	0.76	275.40	1.445	0.38
GVCTX100-2P	99.14	0.541	0.62	396.58	2.162	0.31
GVCTX150-2P	148.10	0.665	0.56	592.42	2.660	0.28
GVCTX200-2P	201.59	0.951	0.46	806.34	3.804	0.23
GVCTX300-2P	300.42	1.176	0.42	1201.70	4.703	0.21

CHARACTERISTICS

Description: SMD 4 Pads Inductors

Applications: Single inductors, 1:1 coupled inductors, & 1:1 isolation transformers

Operating Temperature: -40°C to $+85^{\circ}\text{C}$

Storage Temperature: -40°C to $+125^{\circ}\text{C}$

Inductance Tolerance: $\pm 20\%$

Testing: Inductance is tested on an HP4285A at 100 kHz

Packaging: Bulk pack; packaged in plastic trays

Marking: Parts marked with inductance code & series type

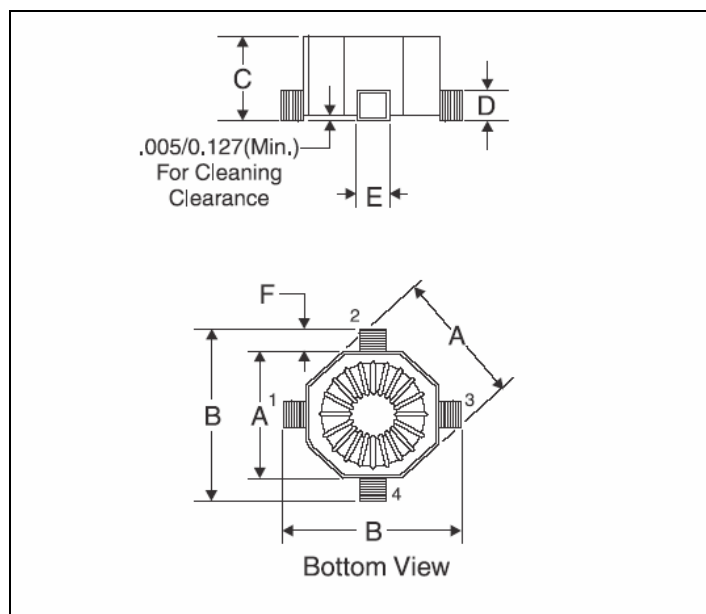
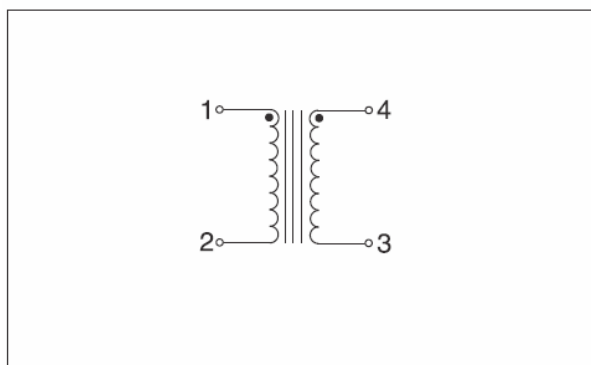
Additional Information: Additional electrical & physical information available upon request

Samples available. See website for ordering information.

PHYSICAL DIMENSIONS

Size	A Nom.	B Nom.	C Max.	D Max.	E Max.	F Min.
mm	9.0	11.4	6.9	3.05	3.56	0.762
inches	0.35	0.45	0.27	0.12	0.14	0.03

CONNECTION DIAGRAM



Ginvanix Electronics Corp.

180, Minsheng St., 303, Hukou, Hsinchu, Taiwan
Tel: +886-3-5999899; Fax: +886-3-5901484; info@ginvanix.com