

GVCTX-3 Series

From 0.38 μH to 301.06 μH

SPECIFICATIONS

Parts are available in $\pm 20\%$ tolerance only.



Part Number	PARALLEL			SERIES		
	OCL ($\mu\text{H}\pm 20\%$)	DCR Max. (Ω)	Full Load Current (Adc)	OCL ($\mu\text{H}\pm 20\%$)	DCR Max. (Ω)	Full Load Current (Adc)
GVCTX0.47-3	0.38	0.005	6.00	1.54	0.020	3.00
GVCTX0.68-3	0.60	0.006	5.00	2.40	0.024	2.50
GVCTX1-3	0.86	0.007	4.80	3.46	0.028	2.40
GVCTX2-3	1.94	0.010	4.70	7.78	0.040	2.35
GVCTX5-3	4.70	0.019	3.00	18.82	0.077	1.50
GVCTX8-3	7.78	0.025	2.80	31.10	0.099	1.40
GVCTX10-3	9.60	0.028	2.70	38.40	0.111	1.35
GVCTX15-3	15.00	0.043	2.00	60.00	0.172	1.00
GVCTX20-3	20.18	0.078	1.50	80.74	0.312	0.75
GVCTX25-3	24.58	0.086	0.98	98.30	0.346	0.49
GVCTX33-3	32.86	0.083	0.96	131.42	0.331	0.48
GVCTX50-3	50.78	0.239	0.94	203.14	0.956	0.47
GVCTX68-3	67.42	0.277	0.80	269.66	1.109	0.40
GVCTX100-3	101.40	0.345	0.70	405.60	1.381	0.35
GVCTX150-3	149.78	0.430	0.38	599.14	1.718	0.19
GVCTX200-3	198.74	0.619	0.39	794.98	2.475	0.20
GVCTX300-3	301.06	0.951	0.40	1204.22	3.083	0.20

CHARACTERISTICS

Description: SMD 4 Pads Inductors

Applications: Single inductors, 1:1 coupled inductors, & 1:1 isolation transformers

Operating Temperature: -40°C to $+85^{\circ}\text{C}$

Storage Temperature: -40°C to $+125^{\circ}\text{C}$

Inductance Tolerance: $\pm 20\%$

Testing: Inductance is tested on an HP4285A at 100 kHz

Packaging: Bulk pack; packaged in plastic trays

Marking: Parts marked with inductance code & series type

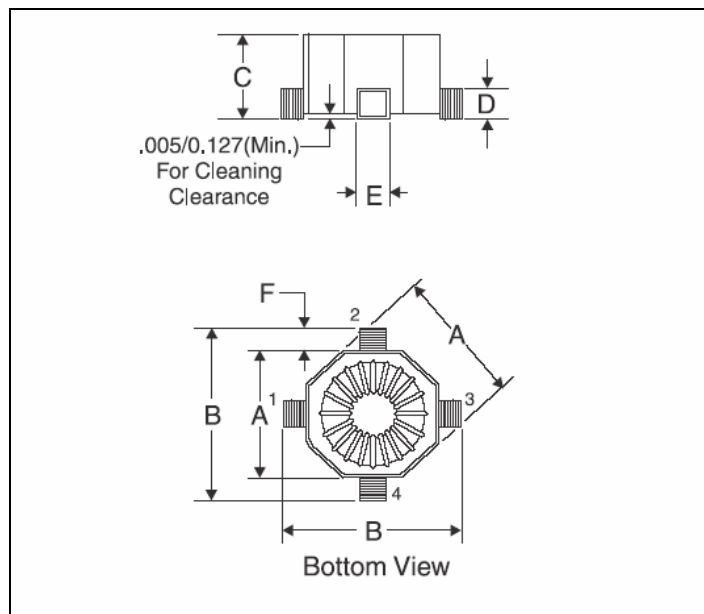
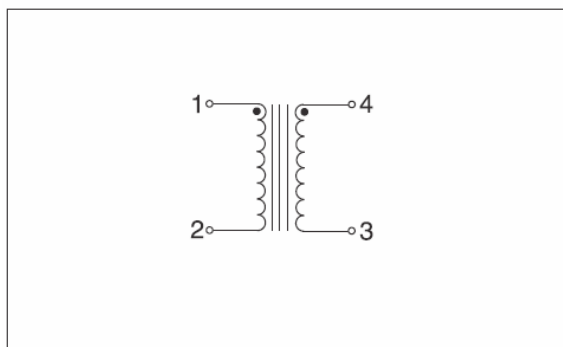
Additional Information: Additional electrical & physical information available upon request

Samples available. See website for ordering information.

PHYSICAL DIMENSIONS

Size	A	B	C	D	E	F
	Nom.	Nom.	Max.	Max.	Max.	Min.
mm	11.38	13.9	5.74	3.00	3.23	0.762
inches	0.45	0.55	0.23	0.12	0.13	0.03

CONNECTION DIAGRAM



Ginvanix Electronics Corp.

180, Minsheng St., 303, Hukou, Hsinchu, Taiwan
Tel: +886-3-5999899; Fax: +886-3-5901484; info@ginvanix.com