

GVCTX-3P Series

From 0.46 μH to 298.39 μH

SPECIFICATIONS

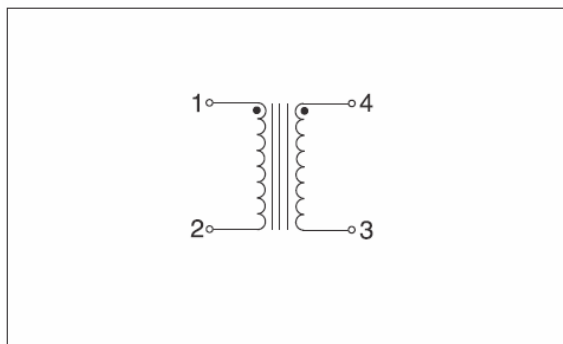
Parts are available in $\pm 20\%$ tolerance only.



CHARACTERISTICS

- Description:** SMD 4 Pads Inductors
- Applications:** Single inductors, 1:1 coupled inductors, & 1:1 isolation transformers
- Operating Temperature:** -40°C to $+85^{\circ}\text{C}$
- Storage Temperature:** -40°C to $+125^{\circ}\text{C}$
- Inductance Tolerance:** $\pm 20\%$
- Testing:** Inductance is tested on an HP4285A at 100 kHz
- Packaging:** Bulk pack; packaged in plastic trays
- Marking:** Parts marked with inductance code & series type
- Additional Information:** Additional electrical & physical information available upon request
- Samples available. See website for ordering information.**

CONNECTION DIAGRAM



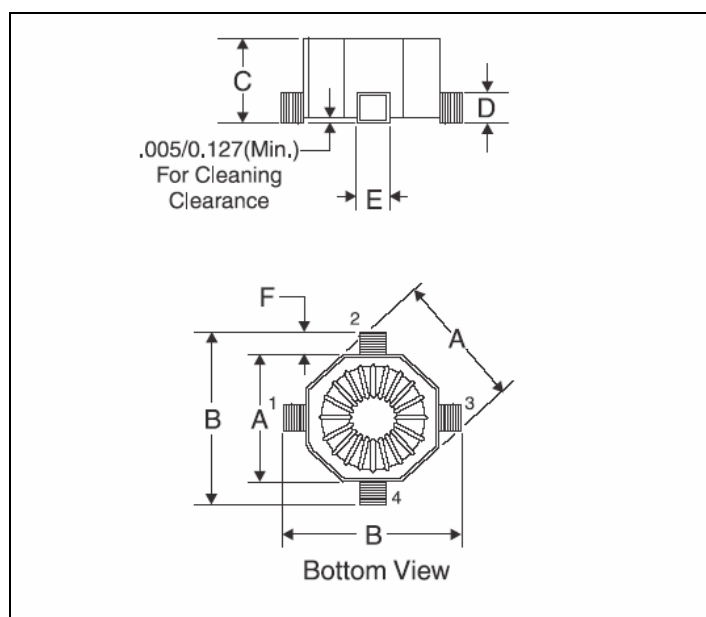
PARALLEL

SERIES

Part Number	OC L ($\mu\text{H}\pm 20\%$)	DCR Max. (Ω)	Full Load Current (A dc)	DCR OC L ($\mu\text{H}\pm 20\%$)	Full Load Max. (Ω)	Current (A dc)
GVCTX0.47-3P	0.46	0.006	6.20	1.85	0.025	3.10
GVCTX0.68-3P	0.67	0.007	5.70	2.66	0.028	2.85
GVCTX1-3P	0.91	0.008	5.40	3.63	0.032	2.70
GVCTX2-3P	1.85	0.011	4.60	7.40	0.045	2.30
GVCTX5-3P	4.74	0.022	3.20	18.94	0.090	1.60
GVCTX8-3P	8.16	0.030	2.80	32.63	0.119	1.40
GVCTX10-3P	9.79	0.033	2.70	39.15	0.131	1.35
GVCTX15-3P	14.50	0.050	2.20	58.02	0.198	1.10
GVCTX20-3P	20.15	0.111	1.50	80.59	0.443	0.75
GVCTX25-3P	25.33	0.125	1.40	101.31	0.499	0.70
GVCTX33-3P	32.63	0.146	1.30	130.54	0.571	0.65
GVCTX50-3P	50.02	0.277	0.92	200.10	1.108	0.46
GVCTX68-3P	68.84	0.328	0.84	275.35	1.312	0.42
GVCTX100-3P	101.31	0.501	0.68	405.22	2.005	0.34
GVCTX150-3P	149.85	0.621	0.64	599.40	2.483	0.32
GVCTX200-3P	200.10	0.731	0.60	800.38	2.925	0.30
GVCTX300-3P	298.39	0.926	0.50	1193.55	3.702	0.25

PHYSICAL DIMENSIONS

Size	A	B	C	D	E	F
	Nom.	Nom.	Max.	Max.	Max.	Min.
mm	11.38	13.9	5.74	3.0	3.23	0.762
inches	0.45	0.55	0.23	0.12	0.13	0.03



Ginvanix Electronics Corp.

180, Minsheng St., 303, Hukou, Hsinchu, Taiwan
 Tel: +886-3-5999899; Fax: +886-3-5901484; info@ginvanix.com