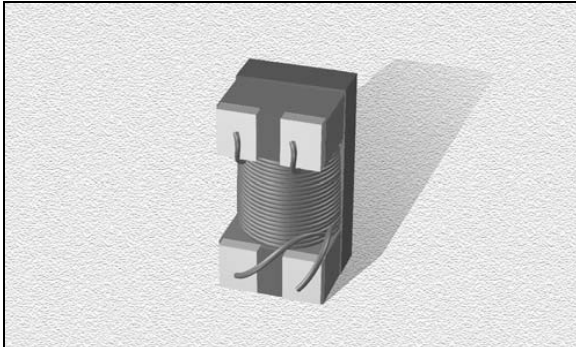


Common Mode Choke

ginvanix.com

GVDLW31S Series

From 90 Ω to 600 Ω



SPECIFICATIONS

Part Number	Common Mode Imp. @100MHz (Ω)	DCR Max. (Ω)	Rated Current (mA)	Rated Voltage (Vdc)	Withstand Voltage (Vdc)	Insulation Resis. Min. (Ω)
GVDLW31S-900T04	90	0.30	400	50	125	10M
GVDLW31S-161T03	160	0.40	350	50	125	10M
GVDLW31S-221T03	220	0.50	350	50	125	10M
GVDLW31S-601T03	600	0.80	260	50	125	10M

PHYSICAL DIMENSIONS

Size	A	B	C	D
mm	3.2 \pm 0.2	1.6 \pm 0.2	2.0 \pm 0.2	0.6
inches	0.125 \pm 0.008	0.063 \pm 0.008	0.079 \pm 0.008	0.024

CHARACTERISTICS

Description: SMD Wire Wound Common Mode Choke Coils for Signal Lines

Applications: Suitable for radiation noise suppression for any electronic devices. Used to counter common mode noise interference within high speed signal lines. Applications like: USB 2.0 Line for personal computers and peripheral devices, IEEE1394 line for personal computers, DVC etc and LVDS, panel link line for crystal display panels.

Operating Temperature: -55°C to +125°C

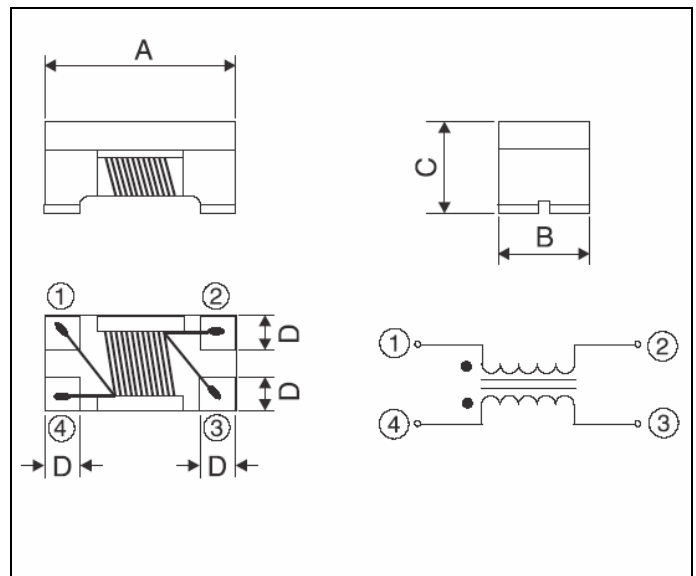
Testing: Impedance is tested on an HP4287A at 100 MHz

Packaging: Tape & Reel

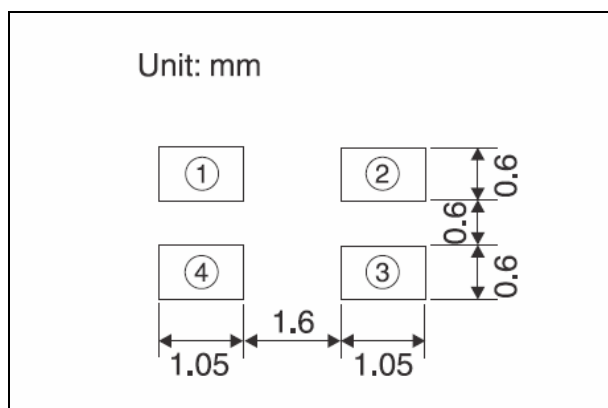
Marking: Reels marked with part number.

Additional Information: Additional electrical & physical information available upon request

Samples available. See website for ordering information.



PAD LAYOUT



Ginvanix Electronics Corp.

180, Minsheng St., 303, Hukou, Hsinchu, Taiwan
Tel: +886-3-5999899; Fax: +886-3-5901484; info@ginvanix.com