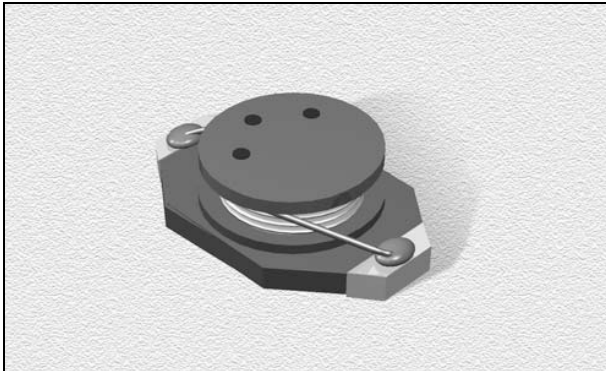


GVDO1608 Series

From 1.0 μH to 1,000 μH



SPECIFICATIONS

Parts are available in $\pm 20\%$ tolerance only.
GVDO1608CE Please specify "F" for RoHS Compliant

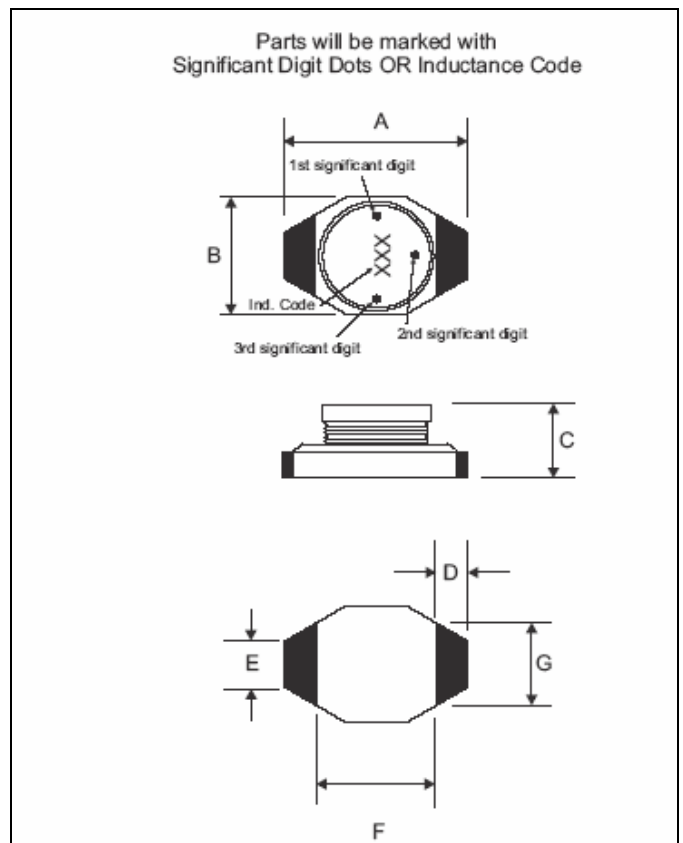
Part Number	Inductance (μH)	L Test Freq. (kHz)	DCR (Ω)	SRF Typ. (MHz)	Isat (A)	Irms (A)
GVDO1608C_-102	1.0	100	.05	130	2.9	2.9
GVDO1608C_-152	1.5	100	.05	115	2.6	2.8
GVDO1608C_-222	2.2	100	.07	90	2.3	2.4
GVDO1608C_-332	3.3	100	.08	70	2.0	2.0
GVDO1608C_-472	4.7	100	.09	50	1.5	1.5
GVDO1608C_-682	6.8	100	.13	45	1.2	1.4
GVDO1608C_-103	10	100	.16	35	1.1	1.1
GVDO1608C_-153	15	100	.23	30	.90	1.2
GVDO1608C_-223	22	100	.37	20	.70	.80
GVDO1608C_-333	33	100	.51	15	.58	.60
GVDO1608C_-473	47	100	.64	14	.50	.50
GVDO1608C_-683	68	100	.86	11	.40	.40
GVDO1608C_-104	100	100	1.3	9.0	.31	.30
GVDO1608C_-154	150	100	2.0	6.0	.27	.25
GVDO1608C_-224	220	100	3.1	5.5	.22	.20
GVDO1608C_-334	330	100	3.8	5.0	.18	.16
GVDO1608C_-474	470	100	5.1	4.0	.16	.15
GVDO1608C_-684	680	100	9.2	3.0	.14	.12
GVDO1608C_-105	1000	100	14	2.0	.10	.07

CHARACTERISTICS

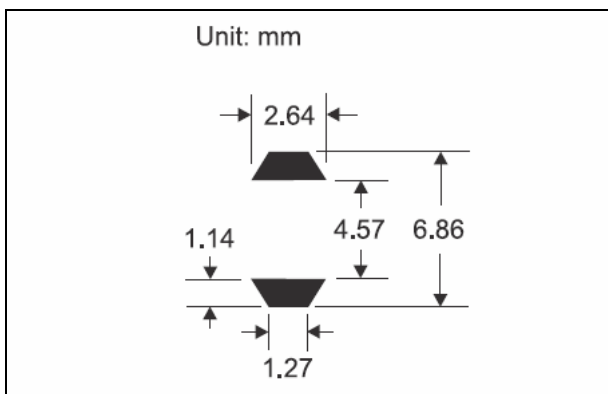
- Description:** SMD power inductor
- Applications:** VTR power supplies, OA equipment, LCD televisions, PC notebooks, portable communication equipment, DC/DC converters. Step up & step down converters and flash memory programmers
- Operating Temperature:** -40°C to $+85^{\circ}\text{C}$
- Inductance Tolerance:** $\pm 20\%$
- Inductance Drop:** 10% typically at Isat
- Temperature:** $-T=30^{\circ}\text{C}$ rise time typ. at Irms
- Testing:** Inductance is tested on an HP4285A at 100 kHz
- Packaging:** Tape & Reel
- Marking:** Color dots
- Miscellaneous:** RoHS Compliant available
- Additional Information:** Additional electrical & physical information available upon request
- Samples available.** See website for ordering information.

PHYSICAL DIMENSIONS

Size	A	B	C	D	E	F	G
	Max.	Max.	Max.				
mm	6.58	4.45	2.92	0.78	1.27	4.80	2.34
inches	0.26	0.18	0.12	0.03	0.05	0.19	0.09



PAD LAYOUT



Ginvanix Electronics Corp.

180, Minsheng St., 303, Hukou, Hsinchu, Taiwan
 Tel: +886-3-5999899; Fax: +886-3-5901484; info@ginvanix.com