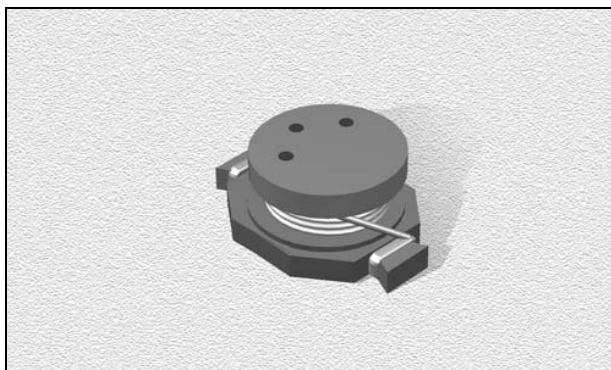


Power Inductors – Unshielded

ginvanix.com

GVDO1813HC Series

From 0.18 μH to 100 μH



SPECIFICATIONS

Parts are available in $\pm 20\%$ tolerance only.
GVDO1813PF Please specify "F" for RoHS Compliant

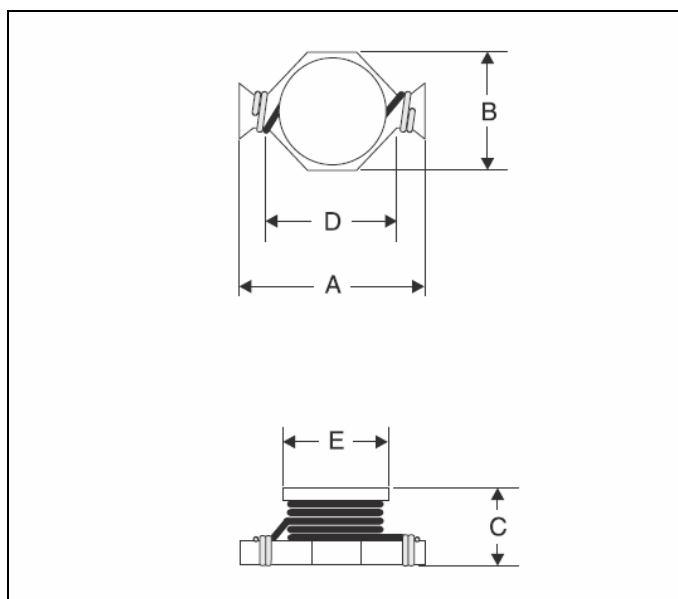
Part Number	Inductance (μH)	L Test Freq. (kHz)	DCR Max. (Ω)	SRF Typ. (MHz)	Isat Typ. (A)	Irms (A)
GVDO1813P_-181HC	0.18	100	.003	800	14.0	10.0
GVDO1813P_-331HC	0.33	100	.004	600	10.0	7.0
GVDO1813P_-561HC	0.56	100	.010	200	7.7	6.0
GVDO1813P_-122HC	1.2	100	.017	140	5.3	4.4
GVDO1813P_-162HC	1.6	100	.025	100	4.5	4.2
GVDO1813P_-222HC	2.2	100	.035	100	3.5	3.1
GVDO1813P_-332HC	3.3	100	.043	80	3.0	2.7
GVDO1813P_-472HC	4.7	100	.054	50	2.6	2.2
GVDO1813P_-682HC	6.8	100	.09	45	2.2	1.8
GVDO1813P_-103HC	10	100	.11	40	1.9	1.5
GVDO1813P_-153HC	15	100	.17	30	1.5	1.2
GVDO1813P_-223HC	22	100	.25	25	1.2	1.0
GVDO1813P_-333HC	33	100	.36	20	.99	.82
GVDO1813P_-473HC	47	100	.47	15	.87	.72
GVDO1813P_-683HC	68	100	.73	7	.67	.56
GVDO1813P_-104HC	100	100	1.11	5	.53	.47

CHARACTERISTICS

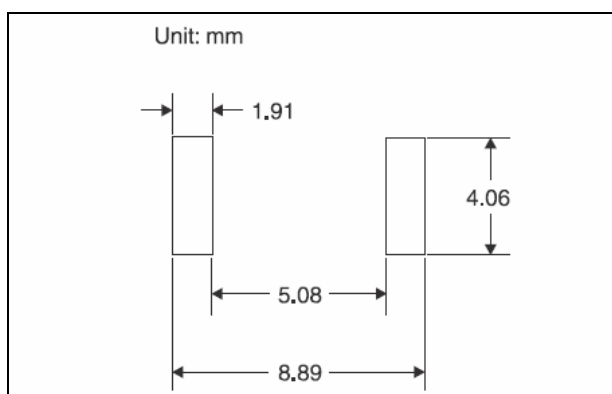
Description: SMD (high current) power inductor
Applications: VTR power supplies, OA equipment, LCD televisions, PC notebooks, portable communication equipment, DC/DC converters. Step up & step down converters and flash memory programmers
Operating Temperature: -40°C to $+85^{\circ}\text{C}$
Inductance Tolerance: $\pm 20\%$
Inductance Drop: 30% typically at Isat
 – T: 40°C typically at I rms
Testing: Inductance is tested on an HP4285A @ 100kHz / 0.25 Vrms
Packaging: Tape & Reel
Marking: Color dots
Miscellaneous: RoHS Compliant available. Electrical specifications at 25°C
Additional Information: Additional electrical & physical information available upon request
Samples available. See website for ordering information.

PHYSICAL DIMENSIONS

Size	A	B	C	D	E
	Max.	Max.	Max.		
mm	8.89	6.10	5.00	5.84	4.57
inches	0.350	0.240	0.197	0.230	0.180



PAD LAYOUT



Ginvanix Electronics Corp.

180, Minsheng St., 303, Hukou, Hsinchu, Taiwan
 Tel: +886-3-5999899; Fax: +886-3-5901484; info@ginvanix.com