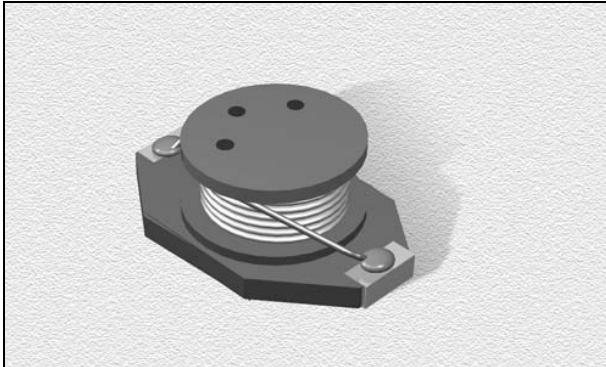


GVDO3316 Series

From 1.0 μH to 1,500 μH



SPECIFICATIONS

Parts are available in $\pm 20\%$ tolerance only.

GVDO3316PE Please specify "F" for RoHS compliant

Part Number	Inductance (μH)	L Test Freq. (kHz)	DCR (Ω)	SRF (MHz)	Isat (A)	Irms (A)
GVDO3316P_-102	1.0	100	.01	100	9.0	6.8
GVDO3316P_-152	1.5	100	.01	90	8.0	6.4
GVDO3316P_-222	2.2	100	.01	80	7.0	6.1
GVDO3316P_-332	3.3	100	.02	65	6.4	5.4
GVDO3316P_-472	4.7	100	.02	45	5.4	4.8
GVDO3316P_-682	6.8	100	.03	38	4.6	4.4
GVDO3316P_-103	10	100	.04	30	3.8	3.9
GVDO3316P_-153	15	100	.05	27	3.0	3.1
GVDO3316P_-223	22	100	.09	19	2.6	2.7
GVDO3316P_-333	33	100	.10	15	2.0	2.1
GVDO3316P_-473	47	100	.14	12	1.6	1.8
GVDO3316P_-683	68	100	.20	10	1.4	1.5
GVDO3316P_-104	100	100	.30	9.0	1.2	1.3
GVDO3316P_-154	150	100	.40	6.0	1.0	1.0
GVDO3316P_-224	220	100	.60	5.0	.80	.80
GVDO3316P_-334	330	100	1.0	4.5	.60	.60
GVDO3316P_-474	470	100	1.3	3.5	.50	.50
GVDO3316P_-684	680	100	2.0	2.5	.40	.40
GVDO3316P_-105	1000	100	3.0	2.0	.30	.30
GVDO3316P_-155	1500	100	5.0	1.0	.27	.25

CHARACTERISTICS

Description: SMD power inductor

Applications: DC/DC converters, computers, LCD displays, telecommunication equipment and PDA palm tops.

Operating Temperature: -40°C to $+85^{\circ}\text{C}$

ΔT : 40°C typically at I_{rms}

Inductance Tolerance: $\pm 20\%$

Inductance Drop: 10% typically at Isat

Testing: Inductance is tested on an HP4285A at 100 kHz

Packaging: Tape & Reel

Marking: Color dots OR Inductance code

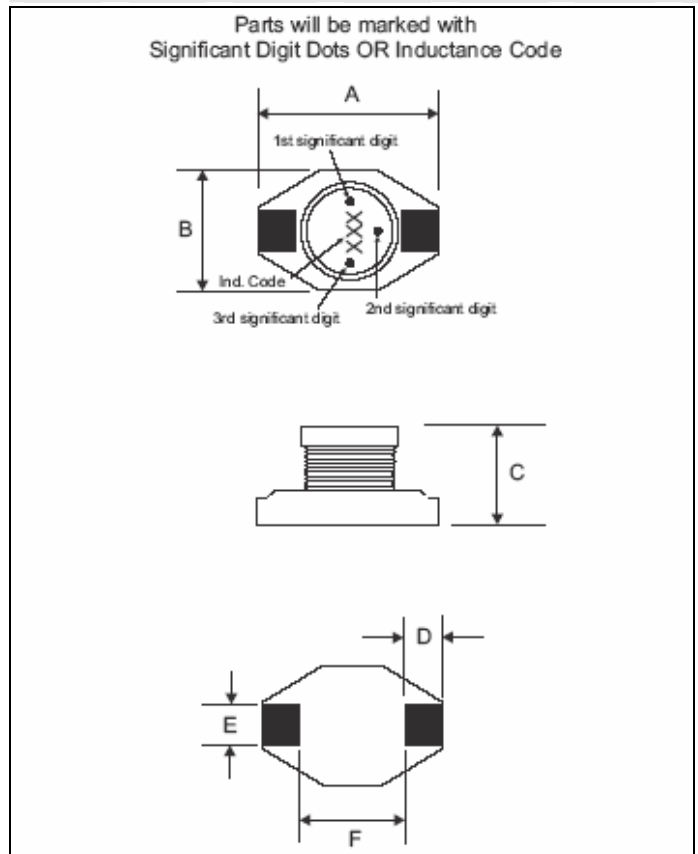
Miscellaneous: RoHS Compliant available.

Additional Information: Additional electrical & physical information available upon request

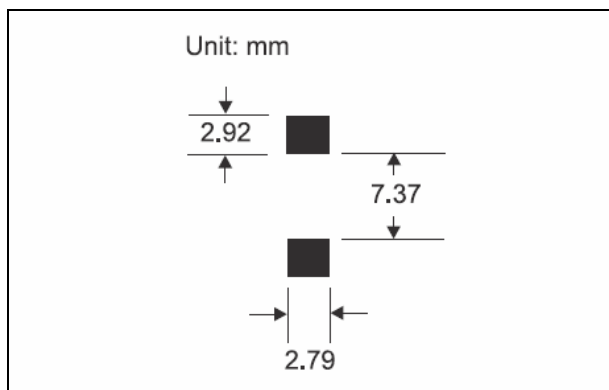
Samples available. See website for ordering information.

PHYSICAL DIMENSIONS

Size	A	B	C	D	E	F
	Max.	Max.	Max.			
mm	12.95	9.4	5.2	2.54	2.54	7.62
inches	0.51	0.37	0.2	0.1	0.1	0.3



PAD LAYOUT



Ginvanix Electronics Corp.

180, Minsheng St., 303, Hukou, Hsinchu, Taiwan
Tel: +886-3-5999899; Fax: +886-3-5901484; info@ginvanix.com