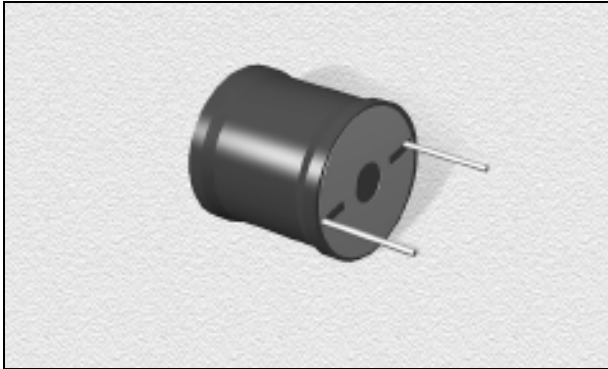


Drum Cores – Radial Leaded

ginvanix.com

GVDR1 Series

From 1.0 μH to 560 μH



SPECIFICATIONS

Part numbers indicate tolerance available.

K = $\pm 10\%$, M = $\pm 20\%$

Part Number	Inductance (μH)	L test Freq. (kHz)	DCR Max. (Ω)	Saturation DC (A)	Rated DC (A)	Dimension Approx. Inches
GVDR1-1R0M	1.0	1.0	.003	87	9.0	.55
GVDR1-1R5M	1.5	1.0	.004	56	9.0	.55
GVDR1-2R2M	2.2	1.0	.005	47	9.0	.55
GVDR1-2R7M	2.7	1.0	.005	47	9.0	.55
GVDR1-3R3M	3.3	1.0	.005	40	9.0	.55
GVDR1-3R9K	3.9	1.0	.006	36	9.0	.55
GVDR1-4R7K	4.7	1.0	.007	32	9.0	.55
GVDR1-5R6K	5.6	1.0	.007	29	9.0	.55
GVDR1-6R8K	6.8	1.0	.008	26	9.0	.55
GVDR1-8R2K	8.2	1.0	.009	24	9.0	.55
GVDR1-100K	10	1.0	.01	21	9.0	.55
GVDR1-120K	12	1.0	.01	19	9.0	.55
GVDR1-150K	15	1.0	.02	17	7.2	.50
GVDR1-180K	18	1.0	.02	16	7.2	.50
GVDR1-220K	22	1.0	.03	16	5.5	.50
GVDR1-270K	27	1.0	.03	14	4.5	.50
GVDR1-330K	33	1.0	.04	13	4.0	.50
GVDR1-390K	39	1.0	.05	12	4.0	.47
GVDR1-470K	47	1.0	.06	11	2.8	.47
GVDR1-560K	56	1.0	.07	10	2.8	.48
GVDR1-680K	68	1.0	.08	8.9	2.8	.50
GVDR1-820K	82	1.0	.08	8.2	2.8	.50
GVDR1-101K	100	1.0	.10	7.5	2.8	.50
GVDR1-121K	120	1.0	.13	5.8	2.0	.48
GVDR1-151K	150	1.0	.18	5.6	1.6	.48
GVDR1-181K	180	1.0	.22	5.1	1.6	.48
GVDR1-221K	220	1.0	.24	4.3	1.6	.48
GVDR1-271K	270	1.0	.30	4.1	1.6	.48
GVDR1-331K	330	1.0	.34	3.8	1.3	.48
GVDR1-391K	390	1.0	.46	3.3	1.0	.48
GVDR1-471K	470	1.0	.64	3.2	0.8	.45
GVDR1-561K	560	1.0	.70	2.9	0.8	.45

CHARACTERISTICS

Description: Radial leaded drum core inductor

Applications: Used in switching regulators, power amplifiers, power supplies, SCR and Triac controls, speaker crossover networks, RFI suppression and filters

Operating Temperature: -55°C to +130°C

Inductance Tolerance: $\pm 10\%$, 20%

Testing: Inductance is tested on an HP4284A at 1.0 kHz

Packaging: Bulk pack

Leads: Tinned for PC mounting to within 1/16" of the parts body

Sleeving: Coils finished with UL-VW-1 sleeving

Mounting: Center hole furnished for mechanical mounting

Rated DC Current: Measured at 20°C

Saturation Current: Lowers inductance by 5%

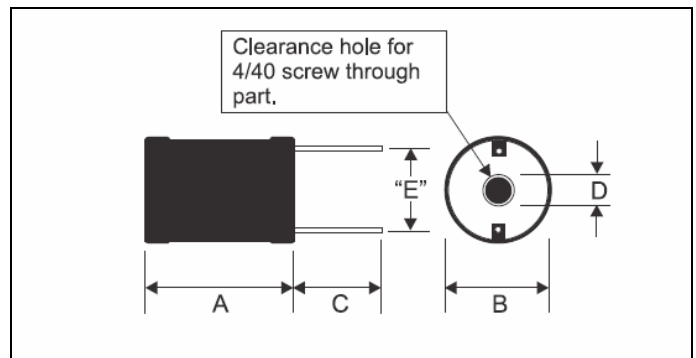
Miscellaneous: Non-standard tolerances and other values available

Additional Information: Additional electrical & physical information available upon request

Samples available. See website for ordering information.

PHYSICAL DIMENSIONS

Size	A	B	C	D
	Max.	Max.	Nom.	Nom.
mm	21.3	16.8	12.7	4.95
inches	0.84	0.66	0.5	0.2



Ginvanix Electronics Corp.

180, Minsheng St., 303, Hukou, Hsinchu, Taiwan
 Tel: +886-3-5999899; Fax: +886-3-5901484; info@ginvanix.com