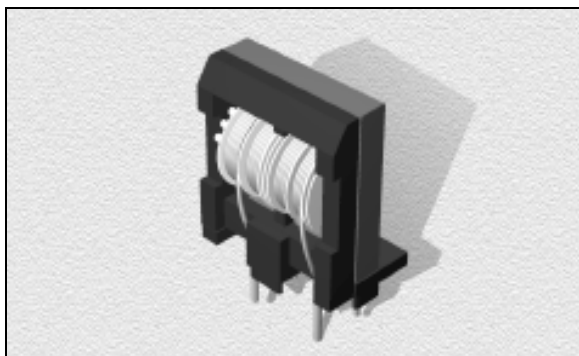


## GVHF2836 Series

From 1.8 mH to 35 mH

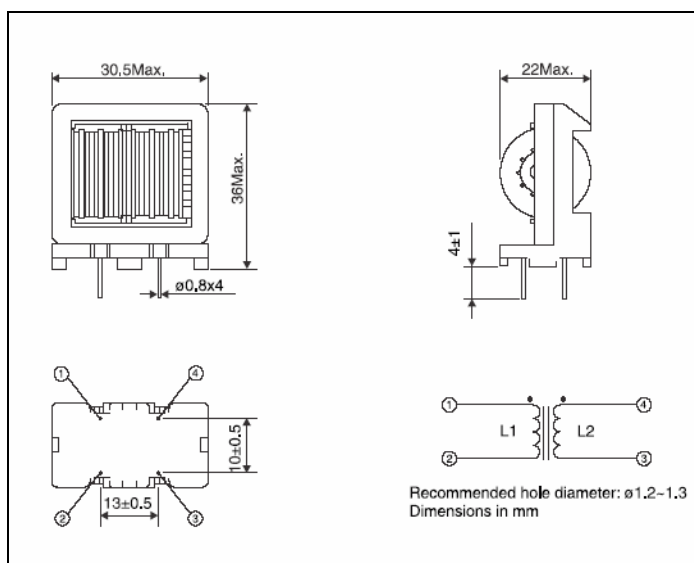


### SPECIFICATIONS

\* Indicates the inductance difference between the coil L1 and L2.

Part Number	Inductance (Min.) (mH)	Inductance Difference* (μH Max.)	DCR Max. (Ω)	Rated lac Current (Max.) (A)
GVHF2836-353M1R0	35	650	0.78	1.0
GVHF2836-253M1R2	25	500	0.56	1.2
GVHF2836-203M1R5	20	400	0.41	1.5
GVHF2836-123M1R8	12	300	0.27	1.8
GVHF2836-802M2R0	8.0	200	0.18	2.0
GVHF2836-562M2R5	5.6	150	0.13	2.5
GVHF2836-427M2R8	4.7	150	0.10	2.8
GVHF2836-332M3R0	3.3	100	0.088	3.0
GVHF2836-182M4R0	1.8	40	0.05	4.0

### PHYSICAL DIMENSIONS



### CHARACTERISTICS

**Description:** Common mode choke coils.

**Applications:** For AC power supply/compact, separable bobbin.

**Rated Voltage:** 250Vac

**Operating Temperature:** -20°C to +105°C (including self temperature rise).

**Temperature Rise:** 45°C maximum each line.

**Dielectric Withstanding Voltage:** 2000Vac between each winding for 1 minute.

**Insulation Resistance:** 100Mohm minimum between each winding for 1 minute.

**Additional Information:** Additional electrical & physical information available upon request. Different inductance and current products are available as well.

**Samples available. See website for ordering information.**